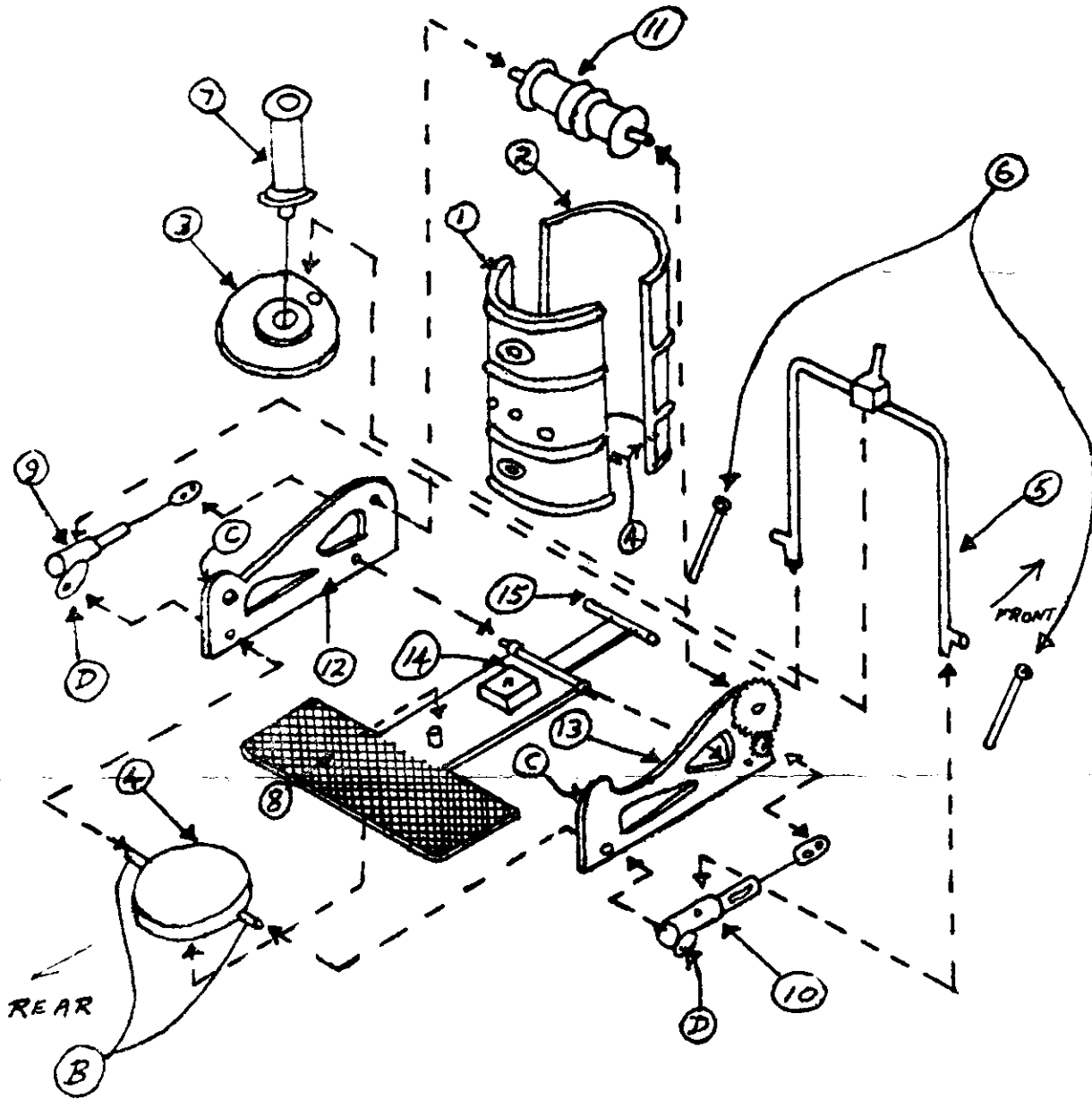


# Mike's Models

HOLT HOUSE, CASWELL BAY, SWANSEA.

CAT. NO. 118 MULTI-PURPOSE DONKEY ENGINE



General Notes: It is important (i) Before assembling the model, to read the instructions fully, and check the fit of each component with its mate. (ii) Build the model on a flat surface to ensure squareness; allowing glue to set hard between each stage of assembly, using 'Super Glue' or similar.

Painting: To aid final painting each sub-assembly should be brushed clean with 'Jif' or similar and thoroughly rinsed. After cleaning, parts can be painted with a matt white or similar primer to provide a key and undercoat.

Part Nos.

Boiler Back (1)	Steam Pipe (5)	Cylinder L.H. (9)	Frame R.H. (13)
Front (2)	2 Control Handles (6)	Cylinder R.H. (10)	Socket (14)
Top (3)	Chimney (7)	Pulley Drum (11)	Jib Hinge (15)
Base (4)	Base Unit (8)	Frame L.H. (12)	

Continued Over.....

Build the model as per the exploded drawing with the help of the notes below.  
In order to read the instructions with the drawing, cut this page along the dotted line.

---

Instructions: Before assembly clean off all flash and split line moulding marks.

1. The boiler halves when joined will have a hole each side on the join line marked 'A' on the drawing which will receive the pegs 'C' on the frames 12 and 13.
2. The pegs 'B' on the boiler base '4' locate through the lower rear holes of the frame sides and protrude through far enough to provide location for the cylinder detail 'D'.
3. The socket '14' and jib hinge '15' are for use with the timber derrick and can be filed off if not required.