

Left Hand Facing Terrace

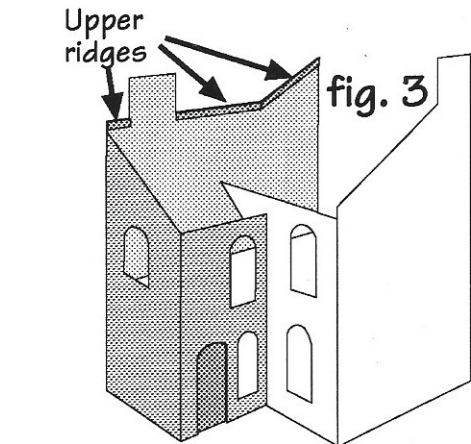
To construct this kit you will need the following:

1. A modellers knife.
2. A pair of scissors.
3. A ruler.
4. Glue - Bostik Clear or UHU Clear Adhesive
5. A cutting surface (a sheet of card or a cutting mat).

READ THESE INSTRUCTIONS THOROUGHLY

When removing the components from the sheet, first lay out flat on your cutting surface and carefully cut all the ties using your knife. Carefully lay each component face up outside the area you will be working in whilst building.

Before you start to assemble the main walls etc. take the glazing sheet and cut out the windows and fit to the back of each corresponding window opening with the matt printed frames showing through. Fix curtains as shown on separate instruction sheet. Fold back and glue the door sides and fix the door so that it faces through the opening. Now take the "house side and rear walls" (fig. 1.) fold and fix the ridge stonework at the top of the side wall then fit the spacer followed by the inner floor (fig. 2.).

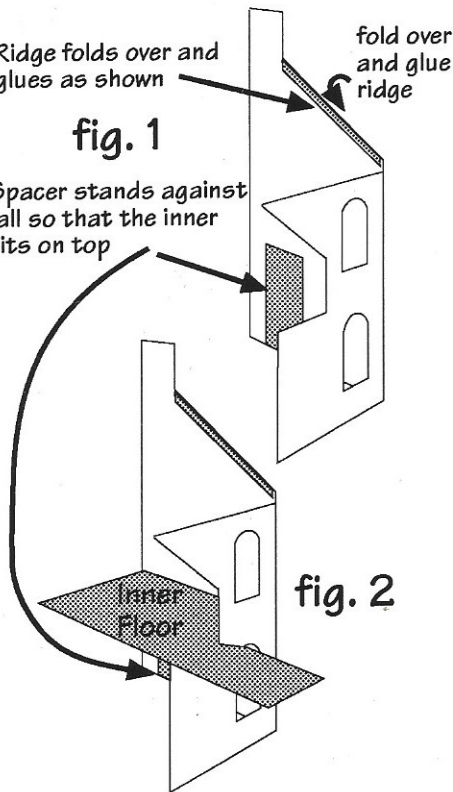


Ridge folds over and glues as shown

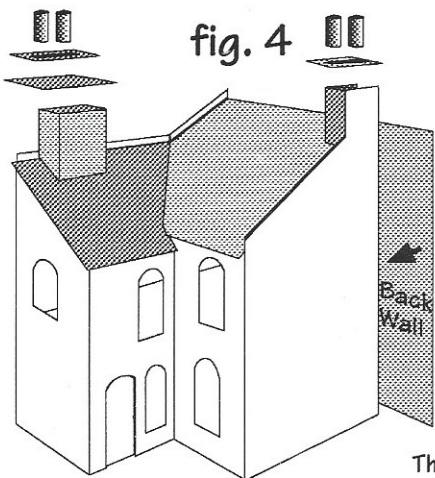
fold over and glue ridge

fig. 1

Inner Spacer stands against side wall so that the inner floor sits on top



Fold around and fix the other outer wall section (after fitting windows, door and curtains and folding and fitting the various upper ridges)



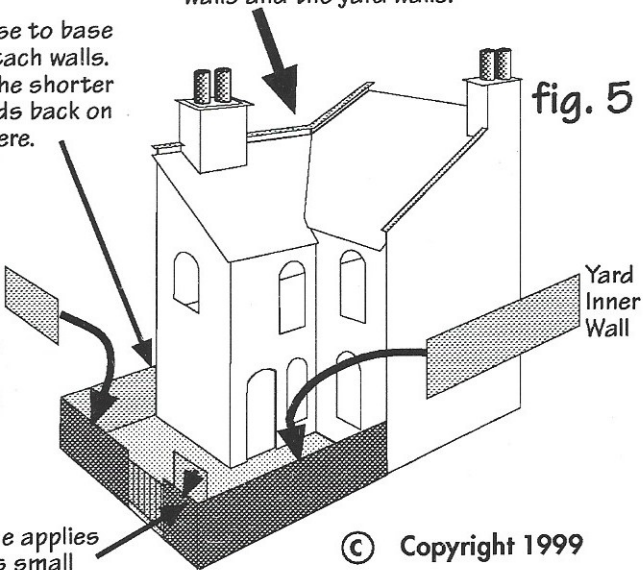
When all walls are fast, attach the main roof which sits against the side walls and up under the ridges the slightly extended part at the end sits on top of the rear wall and overhangs slightly. When fixed, you can then attach the rear roof (a little work may be needed to get it to sit correctly under the ridge and fitting against the main roof. Fit the chimney stacks followed by the top stones (fig. 4.) There is a back wall that can now be fitted in to the back of the building.

There are three strips of capping stone that should be cut to the required lengths and fitted to the tops of the house walls and the yard walls.

Fix house to base and attach walls. Note, the shorter wall folds back on itself here.

This inner wall fits here after the gate is in place so that the gate is sandwiched between inner and outer walls.

The same applies with this small inner wall.



© Copyright 1999
Metcalfe Models & Toys